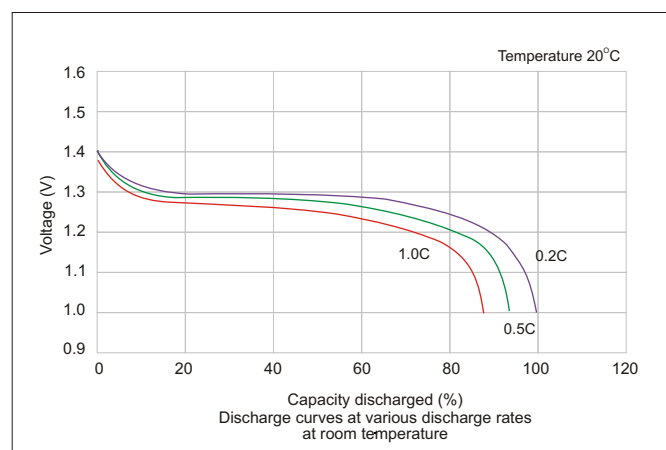
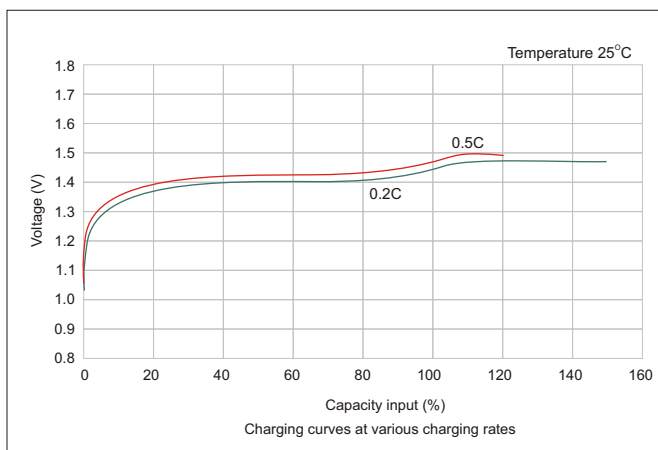
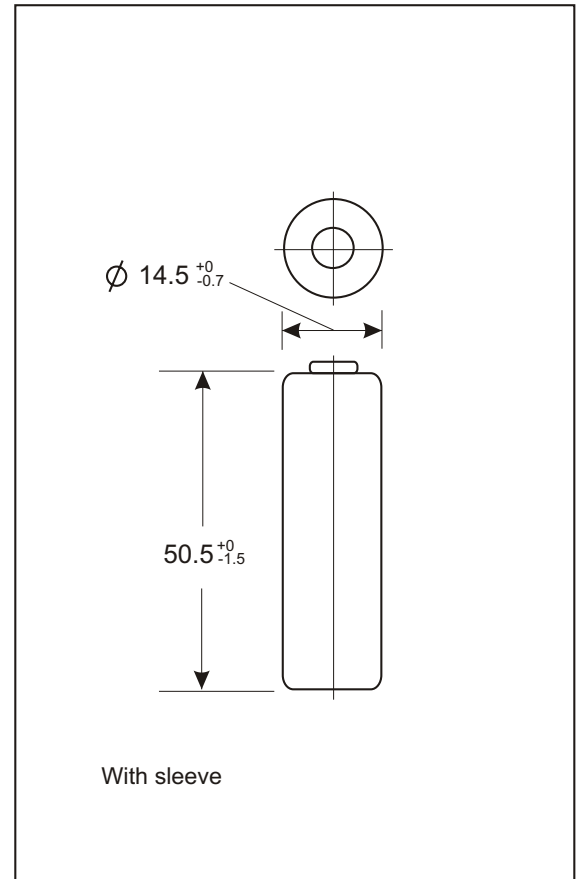


MH-2700AAH Specification
 NiMH Cylindrical Battery
 Size: AA IEC: KR15/51

Typical Characteristics

Model: MH-2700AAH	
Specifications	
Nominal Voltage (V) 1.2V	
Capacity	Typical (mAh) 2450
	Minimum (mAh) 2400
Dimension	Diameter (mm) 14.5 ⁺⁰ _{-0.7}
	Height (mm) 50.5 ⁺⁰ _{-1.5}
Charging	Standard 240mA(0.1C ₅) x 16 hrs
	Rapid 1200mA(0.5C ₅) x 2.4 hrs -ΔV = 5mV
	Trickle 120mA(0.05C ₅) x 48 hrs
Operating Temperature (°C)	Standard Charging 0 ~ 45°C
	Rapid Charging 10 ~ 40°C
	Discharging -20 ~ 60°C
	Storage -20 ~ 35°C
Service Life	>500 cycles (IEC standard)
Internal Resistance	≤30m Ohm (upon fully charged)
Weight	Approx.31g
Cuff-off Voltage (V)	1.00



**Note: The data in this document are for descriptive purposes only and subject to change without prior notice.